



Securely hold steel, wood or plastic bins during rotation.

APPLICATIONS

Designed to handle a variety of bin sizes without damaging the bin. The Hydraulic Bin Retainer accommodates plastic and wood bins used in the agricultural markets such as handling grapes, apples, pears, potatoes, nuts and seed. The Hydraulic Bin Retainer is also popular with the industrial sector handling steel bins used to transport scrap metal and paper waste. Bins are held securely on the forks preventing slippage and damage to the bins when rotated.

OPTIONS

- Custom bin dimensions
- Extended ranges available
- Extended capacities
- Side stabilizer
- Alternate hook profiles
- Extended reach hook
- Custom hook widths
- Sequencing valve that automatically starts rotation function after Hydraulic Bin Retainer clamps load

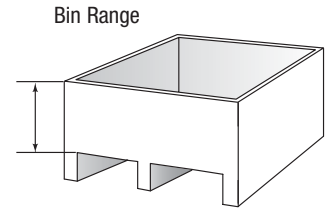
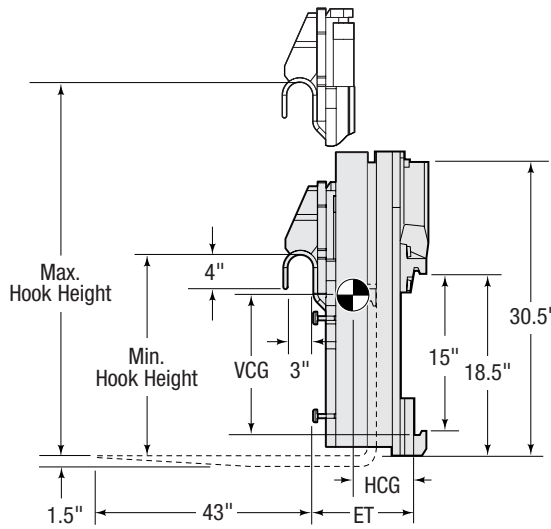
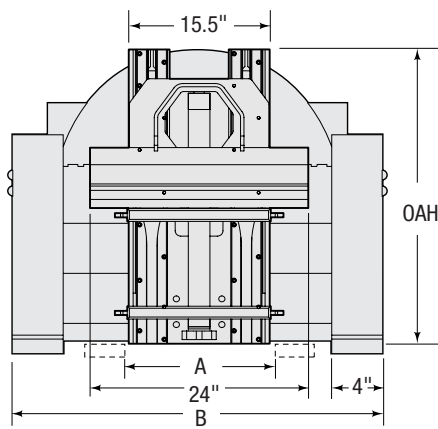
FEATURES

- Heavy-duty 360° Cascade rotator that rotates in both directions
- Bin Retainer is fabricated from proven D-Series extrusions
- Ranges to match a variety of bin sizes
- Pressure reduction valve to prevent excessive force on bin



Built for fast, efficient, and productive handling of agricultural and other bins.

HYDRAULIC BIN RETAINER



Capacity @ 24" (600 mm) Load Center		Model	Min. Hook Height	Max. Hook Height	Bin Range	Mtg. Class	Fork Bar Width (Max. Fork OTD)	Weight		Minimum Fork In to In	Effective Thickness	Horizontal Ctr. of Gravity	Vertical Ctr. of Gravity	Overall Height (Min./Max)	Fork bar to face
lbs	kg							B	lbs						
4,000	1,818	40D-RLH-01A	12"	30"	13"-24"	II	37"	1,226	557	17"	12.3"	7.8"	10.2"	31.5"/45.1"	6.2"
4,000	1,818	40D-RLH-03A	23"	46"	24"-40"	II	37"	1,259	572	17"	12.3"	7.7"	11.5"	36.5"/54.0"	6.2"
4,000	1,818	40D-RLH-05A	39"	61"	40"-55"	II	37"	1,258	571	17"	12.3"	7.7"	13.2"	40.5"/63.5"	6.2"
4,000	1,818	40D-RLH-01B	12"	30"	13"-24"	III	37"	1,279	581	17"	12.3"	8.8"	10.1"	31.5"/45.1"	6.2"
4,000	1,818	40D-RLH-03B	23"	46"	24"-40"	III	37"	1,310	595	17"	12.3"	8.6"	11.4"	36.5"/54.0"	6.2"
4,000	1,818	40D-RLH-05B	39"	61"	40"-55"	III	37"	1,309	594	17"	12.3"	8.6"	13.0"	40.5"/63.5"	6.2"

① Specifications shown are for a combined 40D-RRB-20A Rotator, Hydraulic Bin Retainer and 1.5" x 4" x 48" forks. For specifications with a different combination of components, consult Cascade.

- ▶ Forks not included with Hydraulic Bin Retainer.
- ▶ Configurations shown are typical. For application specific designs, consult Cascade.
- ▶ **Speed:** 7.0 RPM @ 15 GPM
- ▶ **Torque:** 63,000 in./lbs @ 2,300 PSI

INSTALLATION KIT

Clamp Type	Catalog Order No.
40D-RLH	672442

HYDRAULIC FLOW

Model	Minimum	Recommended	Maximum	Max. Pressure
Rotator	5	10	15	2,300 PSI/159 bar
Hyd. Bin Retainer	1	2	4	2,300 PSI/159 bar

HYDRAULIC FUNCTIONS

Model	Hydraulic Functions	Truck Auxiliary Valves Required
40D-RLH	2	2*

*Note: Rotation function 1—Hydraulic Bin Retainer function 2

