



For productive, versatile load handling.

APPLICATIONS

D-Series Fork Clamps operate both as a clamp and as a fork positioner. In addition, they can extend the forks beyond the carriage width, unlike conventional fork positioners. The ability to position the forks speeds pallet handling, reduces wear and tear on pallets and substantially increases productivity. Used in food processing, automotive manufacturing and general manufacturing operations.

FEATURES

- Excellent visibility
- Rugged lightweight construction
- Fast arm opening speeds with less energy consumption
- High net capacity

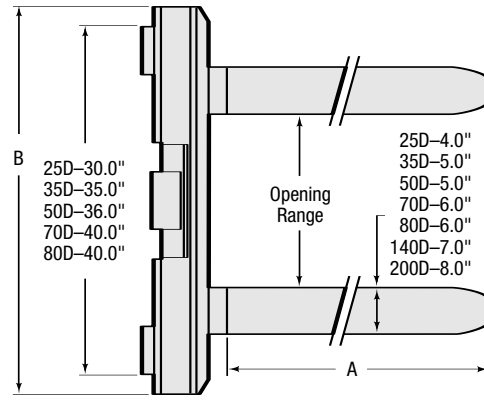
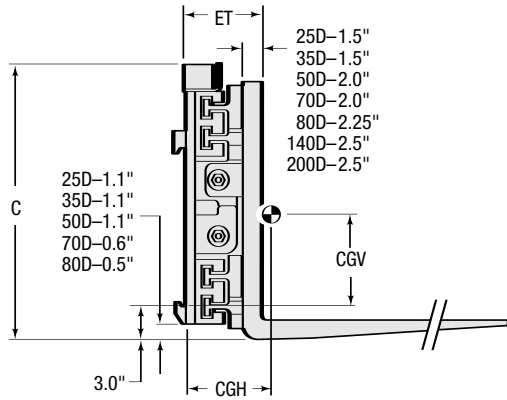
OPTIONS

- Quick-change lower hooks
- Load Backrests
- Flow dividers
- Slip-on drum arms
- Non-standard frame widths & opening ranges

The ability to clamp or position the forks speeds handling and substantially increases productivity.



NON-SIDESHIFTING



Capacity Lbs. @ 24" Load Center	Opening Range (ft)	Catalog Order No.	Mounting Class	Fork Length A	Weight (Lbs.)	Effective Thickness ET	Horizontal Center of Gravity CGH	Vertical Center of Gravity CGV	Overall Width B	Overall Height C
2,500	17.1"-61.3"	25D-CFB-01A	II	36"	550	6.9"	6.4"	6.8"	34"	24.5"
2,500	17.1"-61.3"	25D-CFB-02A	II	42"	570	6.9"	7.5"	6.4"	34"	24.5"
2,500	17.1"-61.3"	25D-CFB-03A	II	48"	590	6.9"	8.9"	5.9"	34"	24.5"
3,500	16.1"-65.3"	35D-CFB-01A	II	36"	650	7.1"	6.6"	7.2"	37"	25.3"
3,500	16.1"-65.3"	35D-CFB-02A	II	42"	675	7.1"	7.8"	6.9"	37"	25.3"
3,500	16.1"-65.3"	35D-CFB-03A	II	48"	700	7.1"	9.1"	6.6"	37"	25.3"
5,000	18.3"-71.3"	50D-CFB-01A	II	36"	885	8.2"	6.8"	8.4"	40"	28.0"
5,000	18.3"-71.3"	50D-CFB-01B	III	36"	930	8.5"	6.6"	8.2"	40"	28.0"
5,000	18.3"-71.3"	50D-CFB-02A	II	42"	925	8.2"	8.0"	7.7"	40"	28.0"
5,000	18.3"-71.3"	50D-CFB-02B	III	42"	965	8.5"	7.9"	7.8"	40"	28.0"
5,000	18.3"-71.3"	50D-CFB-03A	II	48"	960	8.2"	8.9"	7.4"	40"	28.0"
5,000	18.3"-71.3"	50D-CFB-03B	III	48"	1,000	8.5"	8.7"	7.5"	40"	28.0"
7,000	16.6"-77.0"	70D-CFB-01B	III	42"	1,520	9.6"	8.3"	14.1"	48"	32.2"
7,000	16.6"-77.0"	70D-CFB-01C	IV	42"	1,520	9.6"	8.3"	12.1"	48"	32.2"
7,000	16.6"-77.0"	70D-CFB-02B	III	48"	1,560	9.6"	9.2"	13.9"	48"	32.2"
7,000	16.6"-77.0"	70D-CFB-02C	IV	48"	1,560	9.6"	9.2"	11.9"	48"	32.2"
7,000	16.6"-77.0"	70D-CFB-03B	III	54"	1,600	9.6"	10.1"	13.7"	48"	32.2"
7,000	16.6"-77.0"	70D-CFB-03C	IV	54"	1,600	9.6"	10.1"	11.7"	48"	32.2"
7,000	16.6"-77.0"	70D-CFB-04B	III	60"	1,640	9.6"	11.0"	13.5"	48"	32.2"
7,000	16.6"-77.0"	70D-CFB-04C	IV	60"	1,640	9.6"	11.0"	11.5"	48"	32.2"
8,000	16.6"-77.0"	80D-CFB-01B	III	42"	1,570	9.9"	8.3"	14.1"	48"	32.2"
8,000	16.6"-77.0"	80D-CFB-01C	IV	42"	1,570	9.9"	8.3"	12.1"	48"	32.2"
8,000	16.6"-77.0"	80D-CFB-02B	III	48"	1,610	9.9"	9.2"	13.9"	48"	32.2"
8,000	16.6"-77.0"	80D-CFB-02C	IV	48"	1,610	9.9"	9.2"	11.9"	48"	32.2"
8,000	16.6"-77.0"	80D-CFB-03B	III	54"	1,660	9.9"	10.1"	13.7"	48"	32.2"
8,000	16.6"-77.0"	80D-CFB-03C	IV	54"	1,660	9.9"	10.1"	11.7"	48"	32.2"
8,000	16.6"-77.0"	80D-CFB-04B	III	60"	1,700	9.9"	11.0"	13.5"	48"	32.2"
8,000	16.6"-77.0"	80D-CFB-04C	IV	60"	1,700	9.9"	11.0"	11.5"	48"	32.2"
14,000	22.4"-89.9"	140D-CFB	IV	60"	2,690	10.9"	10.0"	10.7"	58"	34.8"
20,000	20.7"-103.4"	200D-CFB	①	60"	3,695	12.6"	10.2"	18.3"	75"	41.3"

① Bolt-on or pin type mounting.

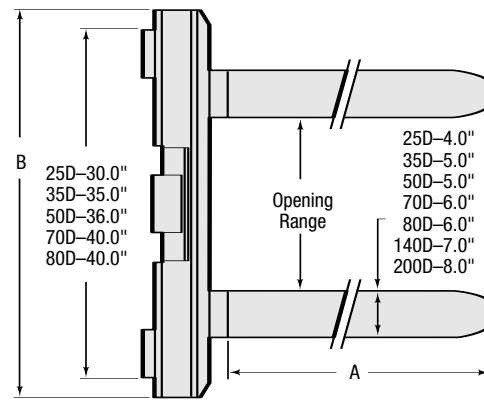
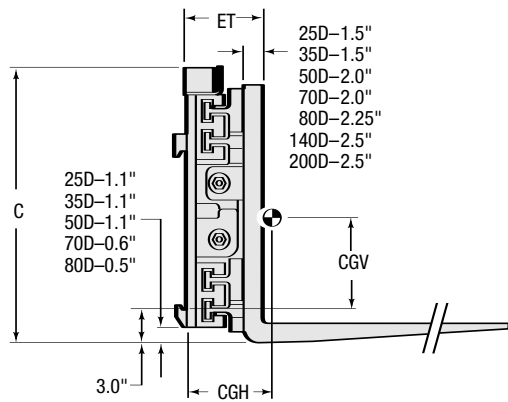
INSTALLATION KITS

Model	Catalog Order No.
Non-Sideshifting	659245
Sideshifting 25D, 35D, 50D	659249
Sideshifting 70D, 80D, 140D, 200D	672442
Revolving 35D, 50D, 70D	672442
Revolving 140D, 200D	663598

HYDRAULIC FUNCTIONS

Model	Hydraulic Functions	Truck Auxiliary Valves Required
Non-Sideshifting	1	1
Sideshifting	2	2
Revolving	2	2

SIDESHIFTING



Capacity Lbs. @ 24" Load Center	Opening Range (ITI)	Catalog Order No.	Mounting Class	Fork Length A	Weight (Lbs.)	Effective Thickness	Horizontal Center of Gravity	Vertical Center of Gravity	Overall Width B	Overall Height C
						ET	CGH	CGV		
2,500	17.1"-61.3"	25D-CFS-11A	II	36"	550	6.9"	6.4"	6.8"	34"	24.5"
2,500	17.1"-61.3"	25D-CFS-12A	II	42"	570	6.9"	7.5"	6.4"	34"	24.5"
2,500	17.1"-61.3"	25D-CFS-13A	II	48"	590	6.9"	8.9"	5.9"	34"	24.5"
3,500	16.1"-65.3"	35D-CFS-11A	II	36"	650	7.1"	6.6"	7.2"	37"	25.3"
3,500	16.1"-65.3"	35D-CFS-12A	II	42"	675	7.1"	7.8"	6.9"	37"	25.3"
3,500	16.1"-65.3"	35D-CFS-13A	II	48"	700	7.1"	9.1"	6.6"	37"	25.3"
5,000	18.3"-71.3"	50D-CFS-11A	II	36"	885	8.2"	6.8"	8.4"	40"	28.0"
5,000	18.3"-71.3"	50D-CFS-11B	III	36"	930	8.5"	6.6"	8.2"	40"	28.0"
5,000	18.3"-71.3"	50D-CFS-12A	II	42"	925	8.2"	8.0"	7.7"	40"	28.0"
5,000	18.3"-71.3"	50D-CFS-12B	III	42"	965	8.5"	7.9"	7.8"	40"	28.0"
5,000	18.3"-71.3"	50D-CFS-13A	II	48"	960	8.2"	8.9"	7.4"	40"	28.0"
5,000	18.3"-71.3"	50D-CFS-13B	III	48"	1,000	8.5"	8.7"	7.5"	40"	28.0"
7,000	16.6"-77.0"	70D-CFS-11B	III	42"	1,520	9.6"	8.3"	14.1"	48"	32.2"
7,000	16.6"-77.0"	70D-CFS-11C	IV	42"	1,520	9.6"	8.3"	12.1"	48"	32.2"
7,000	16.6"-77.0"	70D-CFS-12B	III	48"	1,560	9.6"	9.2"	13.9"	48"	32.2"
7,000	16.6"-77.0"	70D-CFS-12C	IV	48"	1,560	9.6"	9.2"	11.9"	48"	32.2"
7,000	16.6"-77.0"	70D-CFS-13B	III	54"	1,600	9.6"	10.1"	13.7"	48"	32.2"
7,000	16.6"-77.0"	70D-CFS-13C	IV	54"	1,600	9.6"	10.1"	11.7"	48"	32.2"
7,000	16.6"-77.0"	70D-CFS-14B	III	60"	1,640	9.6"	11.0"	13.5"	48"	32.2"
7,000	16.6"-77.0"	70D-CFS-14C	IV	60"	1,640	9.6"	11.0"	11.5"	48"	32.2"
8,000	16.6"-77.0"	80D-CFS-11B	III	42"	1,570	9.9"	8.3"	14.1"	48"	32.2"
8,000	16.6"-77.0"	80D-CFS-11C	IV	42"	1,570	9.9"	8.3"	12.1"	48"	32.2"
8,000	16.6"-77.0"	80D-CFS-12B	III	48"	1,610	9.9"	9.2"	13.9"	48"	32.2"
8,000	16.6"-77.0"	80D-CFS-12C	IV	48"	1,610	9.9"	9.2"	11.9"	48"	32.2"
8,000	16.6"-77.0"	80D-CFS-13B	III	54"	1,660	9.9"	10.1"	13.7"	48"	32.2"
8,000	16.6"-77.0"	80D-CFS-13C	IV	54"	1,660	9.9"	10.1"	11.7"	48"	32.2"
8,000	16.6"-77.0"	80D-CFS-14B	III	60"	1,700	9.9"	11.0"	13.5"	48"	32.2"
8,000	16.6"-77.0"	80D-CFS-14C	IV	60"	1,700	9.9"	11.0"	11.5"	48"	32.2"
14,000	22.4"-89.9"	140D-CFS	IV	60"	2,690	10.9"	10.0"	10.7"	58"	34.8"
20,000	20.7"-103.4"	200D-CFS	①	60"	3,695	12.6"	10.2"	18.3"	75"	41.3"

① Bolt-on or pin type mounting.

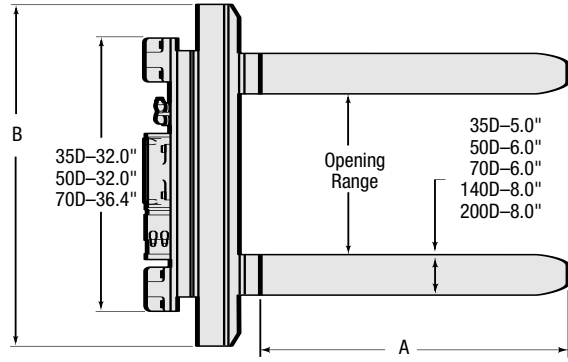
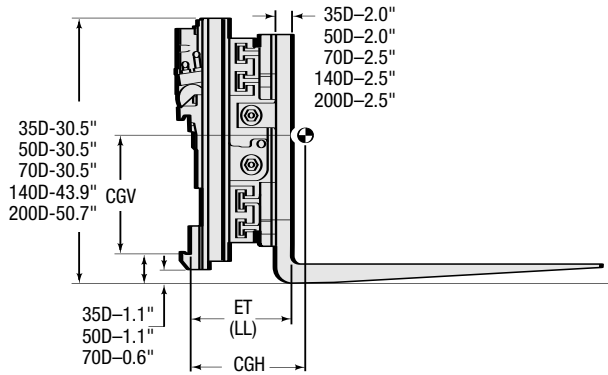
HYDRAULIC FLOW AND PRESSURE

Model	Minimum	Recommended	Maximum	Max. Pressure
SS & NSS 25D	4 GPM	5.5 GPM	5.5 GPM	2,300 PSI
SS & NSS 35D	4 GPM	7 GPM	7 GPM	2,300 PSI
SS & NSS 50D	4 GPM	10 GPM	10GPM	2,300 PSI
SS & NSS 70D, 80D	7 GPM	12 GPM	15GPM	2,300 PSI
Revolving 35D, 50D	5 GPM	10 GPM	12GPM	2,300 PSI
Revolving 70D	7 GPM	12 GPM	18GPM	2,300 PSI
NSS 140D, 200D	10 GPM	15 GPM	24GPM	2,300 PSI
SS 140D, 200D	10 GPM	15 GPM	24GPM	2,300 PSI

MOUNTING CLASS INFORMATION

Mounting Class	Truck Capacity
II	2,000-5,500 lbs.
III	6,000-10,000 lbs.
IV	10,001-17,500 lbs.

REVOLVING



Capacity Lbs. @ 24" Load Center	Opening Range (IT)	Catalog Order No.	Mounting Class	Mounting Angle ①	Fork Length	Weight (Lbs.)	Effective Thickness	Horizontal Center of Gravity	Vertical Center of Gravity	Overall Width	Rotator Speed	Rotator Torque
					A		ET	CGH	CGV	B		
3,500	16.1"-65.3"	35D-CFR-21A	II	0°	36"	1,235	11.3"	7.4"	11.1"	37"	5.2 RPM	75,000 In.- Lbs.
3,500	16.1"-65.3"	35D-CFR-21F	II	4°	36"	1,210	10.3"	6.4"	11.1"	37"	@ 15 GPM	@2,000 PSI
3,500	16.1"-65.3"	35D-CFR-22A	II	0°	42"	1,275	11.3"	8.4"	10.8"	37"	5.2 RPM	75,000 In.- Lbs.
3,500	16.1"-65.3"	35D-CFR-22F	II	4°	42"	1,260	10.3"	7.4"	10.8"	37"	@ 15 GPM	@2,000 PSI
3,500	16.1"-65.3"	35D-CFR-23A	II	0°	48"	1,315	11.3"	9.1"	10.4"	37"	5.2 RPM	75,000 In.- Lbs.
3,500	16.1"-65.3"	35D-CFR-23F	II	4°	48"	1,290	10.3"	8.1"	10.4"	37"	@ 15 GPM	@2,000 PSI
5,000	17.3"-70.3"	50D-CFR-22A	II	0°	42"	1,510	12.0"	8.8"	10.9"	40"	5.2 RPM	75,000 In.- Lbs.
5,000	17.3"-70.3"	50D-CFR-22F	II	4°	42"	1,490	11.0"	7.9"	10.9"	40"	@ 15 GPM	@2,000 PSI
5,000	17.3"-70.3"	50D-CFR-22B	III	0°	42"	1,550	13.6"	10.3"	10.8"	40"	5.2 RPM	75,000 In.- Lbs.
5,000	17.3"-70.3"	50D-CFR-22G	III	4°	42"	1,520	12.4"	9.0"	10.8"	40"	@ 15 GPM	@2,000 PSI ^③
5,000	17.3"-70.3"	50D-CFR-23A	II	0°	48"	1,530	12.0"	9.8"	10.7"	40"	5.2 RPM	75,000 In.- Lbs.
5,000	17.3"-70.3"	50D-CFR-23F	II	4°	48"	1,510	11.0"	8.9"	10.7"	40"	@ 15 GPM	@2,000 PSI
5,000	17.3"-70.3"	50D-CFR-23B	III	0°	48"	1,570	13.6"	11.3"	10.7"	40"	5.2 RPM	75,000 In.- Lbs.
5,000	17.3"-70.3"	50D-CFR-23G	III	4°	48"	1,545	12.4"	10.0"	10.7"	40"	@ 15 GPM	@2,000 PSI
7,000	16.6"-77.0"	70D-CFR-21B	III	0°	42"	2,200	13.8"	9.3"	12.8"	48"	4.0 RPM	90,000 In.- Lbs.
7,000	16.6"-77.0"	70D-CFR-21G	III	4°	42"	2,180	12.5"	8.2"	12.8"	48"	@ 15 GPM	@2,000 PSI
7,000	16.6"-77.0"	70D-CFR-21C	IV	0°	42"	2,320	16.0"	11.1"	10.0"	48"	4.0 RPM	90,000 In.- Lbs.
7,000	16.6"-77.0"	70D-CFR-21H	IV	4°	42"	2,280	14.3"	9.2"	10.2"	48"	@ 15 GPM	@2,000 PSI
7,000	16.6"-77.0"	70D-CFR-22B	III	0°	48"	2,230	13.8"	9.9"	12.6"	48"	4.0 RPM	90,000 In.- Lbs.
7,000	16.6"-77.0"	70D-CFR-22G	III	4°	48"	2,210	12.5"	8.7"	12.6"	48"	@ 15 GPM	@2,000 PSI
7,000	16.6"-77.0"	70D-CFR-22C	IV	0°	48"	2,350	16.0"	11.6"	9.8"	48"	4.0 RPM	90,000 In.- Lbs.
7,000	16.6"-77.0"	70D-CFR-22H	IV	4°	48"	2,310	14.3"	9.8"	10.0"	48"	@ 15 GPM	@2,000 PSI
7,000	16.6"-77.0"	70D-CFR-23B	III	0°	54"	2,250	13.8"	10.1"	12.5"	48"	4.0 RPM	90,000 In.- Lbs.
7,000	16.6"-77.0"	70D-CFR-23G	III	4°	54"	2,230	12.5"	9.0"	12.5"	48"	@ 15 GPM	@2,000 PSI
7,000	16.6"-77.0"	70D-CFR-23C	IV	0°	54"	2,370	16.0"	11.9"	9.7"	48"	4.0 RPM	90,000 In.- Lbs.
7,000	16.6"-77.0"	70D-CFR-23H	IV	4°	54"	2,330	14.3"	10.0"	9.9"	48"	@ 15 GPM	@2,000 PSI
7,000	16.6"-77.0"	70D-CFR-24B	III	0°	60"	2,290	13.8"	10.9"	12.3"	48"	4.0 RPM	90,000 In.- Lbs.
7,000	16.6"-77.0"	70D-CFR-24G	III	4°	60"	2,270	12.5"	9.8"	12.2"	48"	@ 15 GPM	@2,000 PSI
7,000	16.6"-77.0"	70D-CFR-24C	IV	0°	60"	2,410	16.0"	12.6"	9.4"	48"	4.0 RPM	90,000 In.- Lbs.
7,000	16.6"-77.0"	70D-CFR-24H	IV	4°	60"	2,370	14.3"	10.8"	9.7"	48"	@ 15 GPM	@2,000 PSI
11,000	20.4"-87.9"	140D-CFR	IV	0°	60"	4,020	16.0"	11.7"	16.1"	58"		
16,000	20.7"-103.4"	200D-CFR	②	0°	60"	6,295	17.4"	10.1"	23.6"	75"		

① Vertical mount (0° mounting angle) is recommended for lift heights exceeding 180".

② Bolt-on or pin type mounting

③ 140D rot. speed: 3.5 RPM @20 GPM / torque: 129,000 In.-Lbs. @ 2,000 PSI
200D rot. speed: 2.9 RPM @ 20 GPM / torque: 190,000 In.-Lbs. @ 2,000 PSI