



## Layer picking applications have never been so versatile.

### MODELS

#### ■ Stationary Fork Mount

This is a fixed front slip-on fork layer picker, typically on a 5000 lb. truck. No Guide Rail System or special mast is needed. This unit DOES NOT SWING side to side – it is fixed in a front mounted position.

#### ■ Swing Model

The Swing Model is for two sided pick line applications. A 6,000 pound cushion tire lift truck with a special mast (included with the attachment) and the Layer Picker moves independently or within a guide rail system. The Layer Picker swings 90° right, left, and forward to pick from both sides of the line-building a mixed pallet.

#### ■ Stationary Side Mount

The Stationary Side Mount model is for one sided pick lines. A 6000 lb. cushion tire truck with special mast (included with attachment) and layer picker moves independently or with a Guide Rail System. This unit DOES NOT SWING side to side.

#### ■ Stationary Carriage Mount

This is a fixed front carriage mounted layer picker, typically on a 5,000 lb. truck. No Guide Rail System or special mast is needed. This unit DOES NOT SWING side to side – it is fixed in a front mounted position.

### APPLICATIONS

Beverage, warehouses, and distribution facilities can benefit from the speed and versatility the Layer Picker offers. When building mixed-load pallets, the Cascade Layer Picker handles single layers or multiple layers of a variety of products, including both canned and bottled product. Replace costly manual labor with the versatile Cascade Layer Picker.

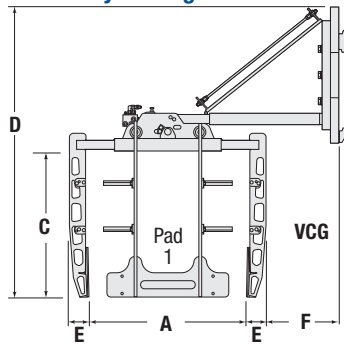
### OPTIONS

- Lower Fork Carriage
- Center Load Support or "Chimney"
- Interlocking Finger Pads
- Product Guards

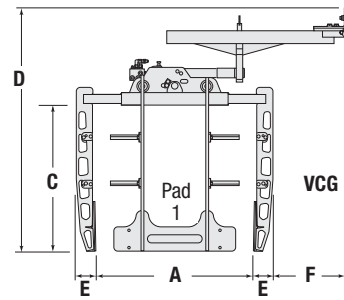
*The Cascade  
Layer Picker  
adds flexibility  
to layer picking  
applications.*

# LAYER PICKER

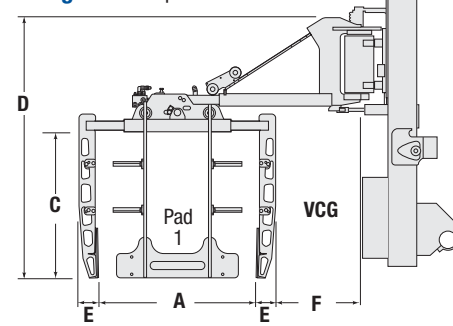
## Stationary Carriage Mount



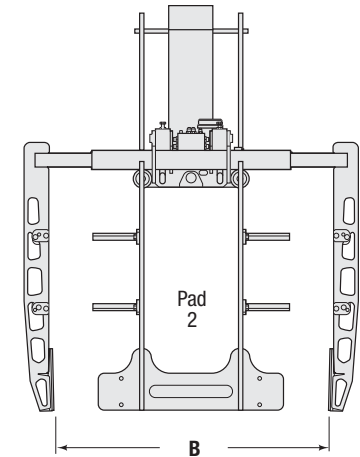
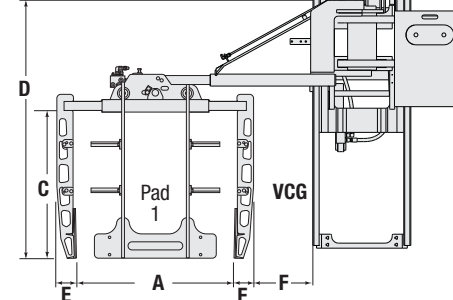
## Stationary Fork Mount



## Swing Model Special mast included.



## Stationary Side Mount Special mast included.



Capacity @ 24" (600 mm) Load Center	Load Dimensions A x B	Catalog Order No.	Load Height Max C	Weight Including Mast lbs	Weight Including Mast kg	Mounting Class	Pad 1 Size	Pad 2 Size	Overall Lowered Height	Overall Clamp Height D	Arm Width E	Extension F	
													kg
<b>Swing Model</b>													
1,200	545	32" x 36"	30B-LPD-B100	35"	4,160	1,889	6" x 31"	6" x 31"	113.7"	63.7"	5.0"	20.2"	
1,200	545	36" x 42"	30B-LPD-B200	25"	4,150	1,884	12" x 42"	6" x 30"	113.7"	53.7"	5.0"	20.2"	
1,200	545	36" x 36"	30B-LPD-B300	25"	4,000	1,816	12" x 31"	6" x 31"	113.7"	53.7"	5.0"	20.2"	
1,200	545	48" x 36"	30B-LPD-B400	25"	4,310	1,957	12" x 48"	6" x 33"	113.7"	53.7"	5.0"	20.2"	
<b>Stationary Side Mount</b>													
1,200	545	32" X 36"	30B-LPN-B100	35"	4,140	1,878	6" X 31"	6" X 31"	113.7	63.7"	5.0"	20.2"	
1,200	545	36" X 42"	30B-LPN-B200	25"	4,120	1,873	12" X 42"	6" X 30"	113.7	53.7"	5.0"	20.2"	
1,200	545	36" X 36"	30B-LPN-B300	25"	3,980	1,805	12" X 31"	6" X 31"	113.7	53.7"	5.0"	20.2"	
1,200	545	48" X 36"	30B-LPN-B400	25"	4,290	1,946	12" X 48"	6" X 33"	113.7	53.7"	5.0"	20.2"	
<b>Stationary Front Carriage Mount</b>													
1,200	545	32" X 36"	30B-LPH-B100	35"	1,260	571	II/III	6" X 31"	6" X 31"	n/a	63.7"	5.0"	20.2"
1,200	545	36" X 42"	30B-LPH-B200	25"	1,250	567	II/III	12" X 42"	6" X 30"	n/a	53.7"	5.0"	20.2"
1,200	545	36" X 36"	30B-LPH-B300	25"	1,100	499	II/III	12" X 31"	6" X 31"	n/a	53.7"	5.0"	20.2"
1,200	545	48" X 36"	30B-LPH-B400	25"	1,410	639	II/III	12" X 48"	6" X 33"	n/a	53.7"	5.0"	20.2"
<b>Stationary Front Fork Mount</b>													
1,200	545	32" X 36"	30B-LPF-B100	35"	1,000	454	slip-on	6" x 31"	6" x 31"	n/a	63.7"	5.0"	20.2"
1,200	545	36" X 42"	30B-LPF-B200	25"	990	449	slip-on	12" x 42"	6" x 30"	n/a	53.7"	5.0"	20.2"
1,200	545	36" X 36"	30B-LPF-B300	25"	840	381	slip-on	12" x 31"	6" x 31"	n/a	53.7"	5.0"	20.2"
1,200	545	48" X 36"	30B-LPF-B400	25"	1,150	522	slip-on	12" x 48"	6" x 33"	n/a	53.7"	5.0"	20.2"

► Attachment capacity is a structural rating only. The type of product to be handled as well as the operating conditions must be considered to determine the working capacity for each application. Actual attachment/truck net working capacities must be obtained from the lift truck manufacturer. Only capacity ratings obtained from the lift truck manufacturer may be entered on the truck's nameplate.

⓪ Models listed above are not available without special mast. Layer Picker and mast combinations will only be sold to the authorized lift truck dealer of the OEM truck the mast is being installed on. Tilt lockout rods provided by Cascade. Mast mounting hardware and tilt rod (cylinder) pins Dealer supplied.

## HYDRAULIC FLOW & PRESSURE

Function	Minimum Flow	Recommended Flow	Maximum Flow	Maximum Pressure
Boom	5 GPM	7 GPM	10 GPM	2,300 PSI
Rotate ⓪	2 GPM	3.5 GPM	5 GPM	2,300 PSI
Clamp	5 GPM	7 GPM	10 GPM	2,300 PSI
Hoist	7 GPM	11 GPM	15 GPM	2,300 PSI

⓪ Only available on Swing Model.

## HYDRAULIC FUNCTIONS

Model	Hydraulic Functions	Truck Auxiliary Valves Required
Standard (swing model)	3	2
Additional Carriage (swing model)	4	3
Standard (side mount)	2	1
Standard (carriage & fork mount)	1	1

3-Function requires use of tilt valve and two additional auxiliary valves.  
1-Function requires use of one auxiliary valve.

Cascade Corporation • PO Box 20187 • Portland, OR 97294-0187 • USA • 800 CASCADE (227.2233) • Tel 503.669.6257 • Fax 800.693.3768 • Fax 503.669.6367

Cascade Canada Ltd. • 5570 Timberlea Blvd. • Mississauga, Ontario L4W 4M6 • Canada • 800.380.2272 • Tel 905.629.7777 • Fax 905.629.7785