



Change Oversized Tires On-Site, Efficiently and Safely

APPLICATIONS

Designed for the mining and earth moving industries and may be used in any application requiring the need to handle earth moving tires. The Cascade Tire Handler allows you to safely handle OTR tires weighing up to 34,200 lbs. (15.6 metric tons). The ability to rotate, tip and sideshift the tire provides the flexibility needed to align the tire to the truck and complete the tire change without the lift truck driver leaving the cab of the lift truck.

FEATURES

- Superior visibility through and over the frame for aligning the tire and rim to the vehicle
- Rugged steel frame and rigid arm design for increased overall durability and capacity
- Heavy duty Cascade rotator to allow for a 360° continuous rotation
- Forward tipping pad design to safely set the tire down flat
- Lifting capacities of up to 34,200 lbs. (15.6 metric tons)
- Ability to handle tires ranging from 63"-161" (1.6m -4.1m) in diameter and up to 74" (1.885m) wide
- All hoses are internally located to prevent damage
- The thinnest profile arms in the industry for those hard to access tires
- Unitized control valve with individual test points for fast fault diagnosis

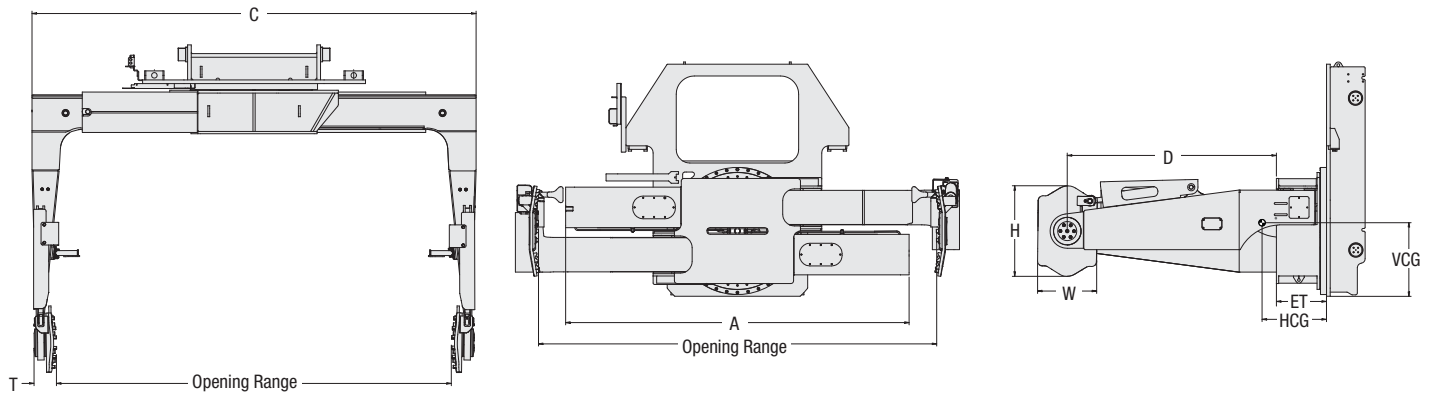
OPTIONS

- Smaller capacities available
- Non-Rotating models available for logistics operations
- Multipurpose models available for handling other bulk freight
- Special opening ranges available
- Quick release pad options available for handling steel rims and protection chains
- Mountings for Loaders, Lift Truck Carriages, Telehandlers and Cranes available



*Designed with
great visibility,
and superior
durability.*

TIRE HANDLER



Rotating 360°

| Model | | 60J-DTI-200 | 60J-DTI-230 | 80J-DTI-230 | 80J-DTI-250 | 100J-DTI-230 | 100J-DTI-250 | 150J-DTI-230 | 150J-DTI-280 | 156J-DTI-280 |
|------------------------|------------------|-------------|-------------|-------------|-------------|--------------|--------------|--------------|--------------|--------------|
| Opening (Min) | | 57.1" | 57.1" | 57.1" | 57.1" | 57.1" | 57.1" | 57.1" | 57.1" | 57.1" |
| Opening (Max) | | 157.5" | 157.5" | 177.2" | 177.2" | 177.2" | 177.2" | 173.6" | 173.6" | 181.5" |
| A Frame Width | | 123.6" | 123.6" | 137.8" | 137.8" | 137.8" | 137.8" | 149.2" | 149.2" | 141.3" |
| C Overall Width | | 178.7" | 178.7" | 193.7" | 198.8" | 193.7" | 198.8" | 192.9" | 193" | 206" |
| D Arm Length | | 78.7" | 90.6" | 90.6" | 98.4" | 90.6" | 98.4" | 90.6" | 110.2" | 110.2" |
| H Pad Height | | 27.8" | 27.8" | 31.5" | 31.5" | 31.5" | 31.5" | 39.4" | 39.4" | 39.4" |
| W Pad Width | | 27.8" | 27.8" | 31.5" | 31.5" | 31.5" | 31.5" | 25.6" | 25.6" | 25.6" |
| T Pad Thickness | | 11" | 11" | 11.4" | 11.4" | 11.4" | 11.4" | 10.4" | 10.4" | 10.4" |
| Narrow Base | Tire Size (min.) | 1800-25 | 1800-25 | 1800-25 | 1800-25 | 1800-25 | 1800-25 | 1800-25 | 1800-25 | 1800-25 |
| | Tire Size (max.) | 3700R57 | 4000R57 | 4000R57 | 53/80R63 | 4000R57 | 59/80R63 | 4000R57 | 59/80R63 | 59/80R63 |
| | Min. (in.) | 66.1" | 66.1" | 66.1" | 66.1" | 66.1" | 66.1" | 66.1" | 66.1" | 66.1" |
| | Max. (in.) | 135.4" | 140.2" | 140.2" | 153.5" | 140.2" | 158.3" | 140.2" | 158.3" | 158.3" |
| Wide Base | Tire Size (min.) | 26.5R25 | 26.5R25 | 26.5R25 | 26.5R25 | 26.5R25 | 26.5R25 | 26.5R25 | 26.5R25 | 26.5R25 |
| | Tire Size (max.) | 45/65R45 | 45/65R45 | 55/80R57 | 55/80R57 | 65/65-57 | 65/65-57 | 70/70R57 | 70/70R57 | 70/70R57 |
| | Min. (in.) | 70.9" | 70.9" | 70.9" | 70.9" | 70.9" | 70.9" | 70.9" | 70.9" | 70.9" |
| | Max. (in.) | 107.5" | 107.5" | 141.7" | 141.7" | 151.6" | 151.6" | 161.4" | 161.4" | 161.4" |
| Capacity (lbs.) | | 13200 | 13200 | 17600 | 17600 | 22000 | 22000 | 33000 | 33000 | 34320 |
| ET (Lost Load - in.) | | 18.1" | 18.1" | 20.1" | 20.1" | 20.1" | 20.1" | 23.2" | 24" | 24" |
| HCG (in.) | | 24" | 27" | 30.7" | 32.3" | 30.7" | 32.3" | 27.6" | 29.5" | 29.9" |
| VCG (in.) | | 22.8" | 22.8" | 22.4" | 22.4" | 22.4" | 22.4" | 30.1" | 30.1" | 30.1" |
| Weight (lbs.) | | 7744 | 7942 | 11000 | 11220 | 12760 | 12980 | 15620 | 16060 | 16390 |
| Body Rotation | | 360° | 360° | 360° | 360° | 360° | 360° | 360° | 360° | 360° |
| Pad Rotation | | 360° | 360° | 360° | 360° | 360° | 360° | 90° | 90° | 90° |
| Opt Pad Rotation | | 90° | 90° | 90° | 90° | 90° | 90° | | | |
| Oil Flow (Min gpm) | | 11 | 11 | 11 | 11 | 11 | 11 | 11 | 11 | 11 |
| Oil Flow (Rec gpm) | | 20 | 20 | 20 | 20 | 20 | 20 | 20 | 20 | 20 |
| Oil Flow (Max gpm) | | 29 | 29 | 29 | 29 | 29 | 29 | 29 | 29 | 29 |
| Oil Pressure (Rec psi) | | 2300 | 2300 | 2300 | 2300 | 2300 | 2300 | 2300 | 2300 | 2300 |

Notes:

- ▶ Recommended models for tire size assume tire & rims weights are combined.
- ▶ Contact Cascade for advice if on vehicle maintenance (OVM) is to be used.
- ▶ The above specifications are estimates. Each configuration may vary depending on the mounting design. Consult Cascade.
- ▶ Consult Cascade for options such as rim pads, chain pads, transport & storage stands.

Cascade Corporation • PO Box 20187 • Portland, OR 97294-0187 • USA • 800 CASCADE (227.2233) • Tel 503.669.6257 • Fax 800.693.3768 • Fax 503.669.6367
 Cascade Canada Ltd. • 5570 Timberlea Blvd. • Mississauga, Ontario L4W 4M6 • Canada • 800.380.2272 • Tel 905.629.7777 • Fax 905.629.7785